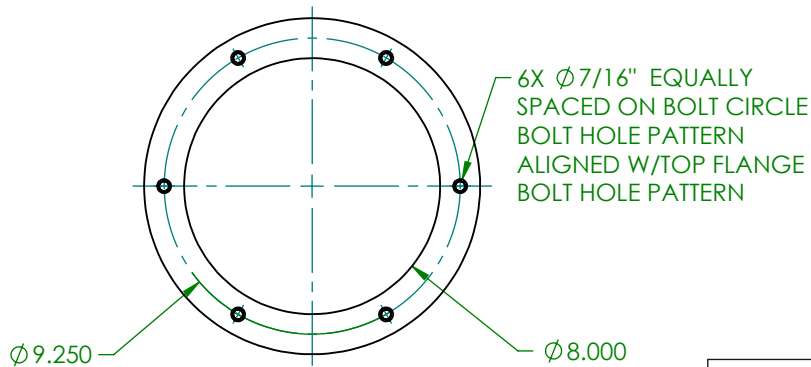



SECTION A-A
WITH PLYWOOD COVER
AND MACHINE SCREWS



BOTTOM VIEW

NOTE:

1. 'HT'= HEIGHT TO ORDER. MINIMUM HEIGHT IS 2.0".
2. (6) CEC LOCK WASHERS ARE SHIPPED UNASSEMBLED WITH THE L-868 EXTENSION.
3. PLYWOOD COVER FOR L-868 10" EXTENSION IS 3/4" NOMINAL THICKNESS X 10 3/8" DIAMETER, GRADE CC.
4. CARBON STEEL EXTENSIONS ARE HOT DIP GALVANIZED PER ASTM A123.
5. PART NUMBERING:
 - L-868 10" DIA: MMC PN IS 108E(HT)
 - WHERE (HT) IS THE HEIGHT TO ORDER
 - EX. 10" DIA. L-868, 5 3/8" HIGH: 108E05375
6. AVAILABLE OPTIONS, SPECIFIED WHEN ORDERING, INCLUDE:
 - ANTI-ROTATION FINS
 - LOAD RING
 - STAINLESS STEEL CONSTRUCTION
 - REPLACEABLE STAINLESS STEEL THREADED INSERTS
7. THIS PRODUCT IS CERTIFIED PER FAA ADVISORY CIRCULAR AC150/5345-42 (CURRENT REV).

| | | | |
|-----------------|--|---|------|
| DWN: DOUG F. | L-868 EXTENSION, $\phi 10$ " | | 108E |
| DATE: 8/10/2017 | | | |
| SCALE: NTS |  MILLERBERND | 622 6TH ST. SO. WINSTED, MN 55395 | |
| SHEET 1 OF 1 | | | |