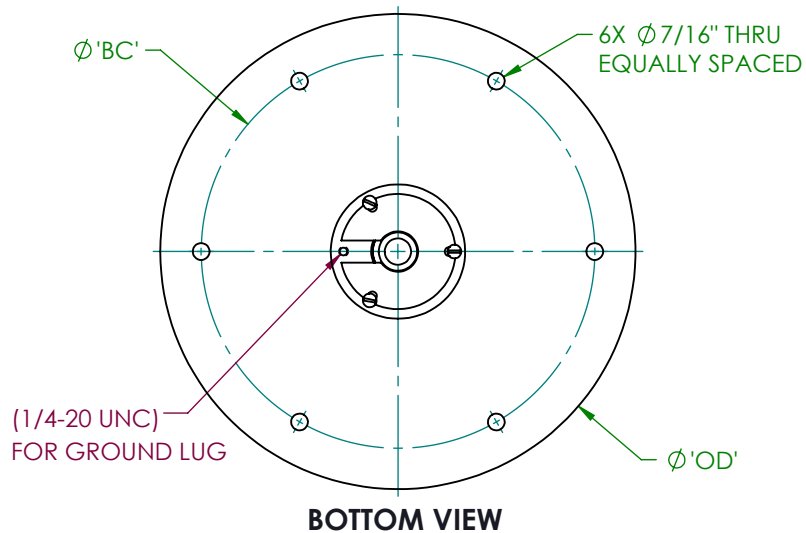


SECTION A-A
SCALE 2:5



FAA TYPE	'OD'	'BC'	PART NUMBER
L-867B	12.375	10.250	127B382EH
L-867D	16.000	14.250	167B382EH

NOTE:

1. FINISH IS POLYESTER TGIC POWDER COAT FULL GLOSS SMOOTH. COLOR IS FS 13538 YELLOW.
- ② HEAVY BASE PLATE IS INDIVIDUALLY PACKED WITH NEOPRENE GASKET, STEEL CABLE CLAMP AND SCREWS FOR SECURING L-823 CONNECTOR, ASSEMBLY INSTRUCTIONS AND (2) 1/4-20 UNC X 1" LONG SS HEX HEAD BOLTS.
3. FOR GROUNDING OPTION, BASE PLATE PACKAGE INCLUDES (1) 1/4-20 UNC X 1/2" LG SOCKET HEAD CAP SCREW AND (1) #6 COPPER GROUND LUG. ADD "G" TO END OF PART NUMBER FOR GROUNDING OPTION. EX.: 127B382EHG
4. DESIGNED TO COMPLY WITH FAA CIRCULAR AC510/5345-42 (CURRENT VERSION).

DWN: DOUG F.	L-867 HEAVY BASE PLATE, EXTENDED HUB	
DATE: 10/4/2017		
SCALE: NTS	 MILLERBERND 622 6TH ST. SO. WINSTED, MN 55395	7B2EH
SHEET 1 OF 1		