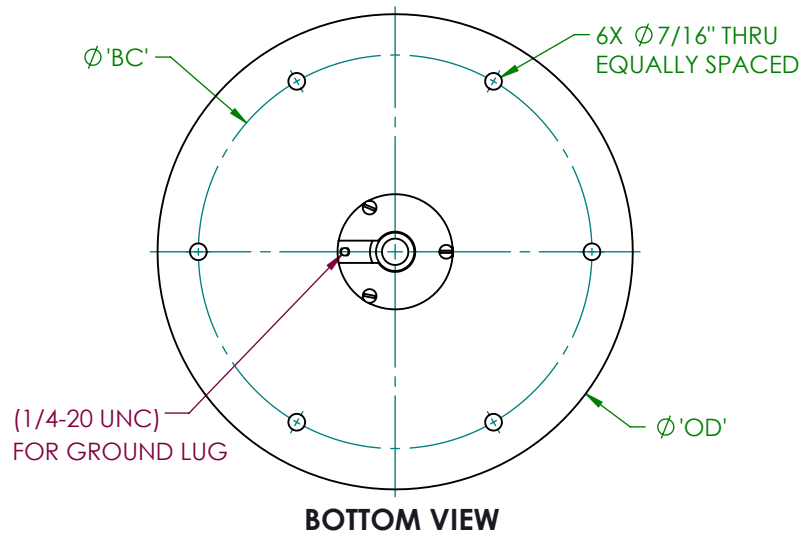


SECTION A-A
SCALE 1:2



NOTE:

1. FINISH IS POLYESTER TGIC POWDER COAT FULL GLOSS SMOOTH. COLOR IS FS 13538 YELLOW.
2. HEAVY BASE PLATE IS INDIVIDUALLY PACKED WITH NEOPRENE GASKET, STEEL CABLE CLAMP AND SCREWS FOR SECURING L-823 CONNECTOR AND ASSEMBLY INSTRUCTIONS.
3. FOR GROUNDING OPTION, BASE PLATE PACKAGE INCLUDES (1) 1/4-20 UNC X 1/2" LG SOCKET HEAD CAP SCREW AND (1) #6 COPPER GROUND LUG, ADD "G" TO END OF PART NUMBER FOR GROUNDING OPTION. EX.: 127B382G
- ④ THIS PRODUCT IS CERTIFIED PER FAA ADVISORY CIRCULAR AC150/5342-42 (CURRENT REV).
- ⑤ DESIGNED TO COMPLY WITH FAA CIRCULAR AC510/5345-42 (CURRENT VERSION).

FAA TYPE	'OD'	'BC'	'MT'	PART NUMBER
L867B	12.375	10.25	1 1/2-12 UNF	127B3815 ⑤
			2"-11 1/2 NPS	127B382 ④
L867D	16.00	14.25	1 1/2-12 UNF	167B3815 ⑤
			2"-11 1/2 NPS	167B382 ⑤

DWN: DOUG F.	L-867 HEAVY BASE PLATE	
DATE: 9/26/2017		
SCALE: NTS	 MILLERBERND 622 6TH ST. SO. WINSTED, MN 55395	7BH
SHEET 1 OF 1		