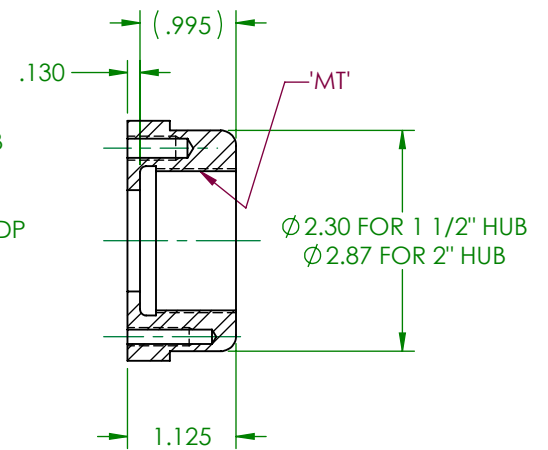
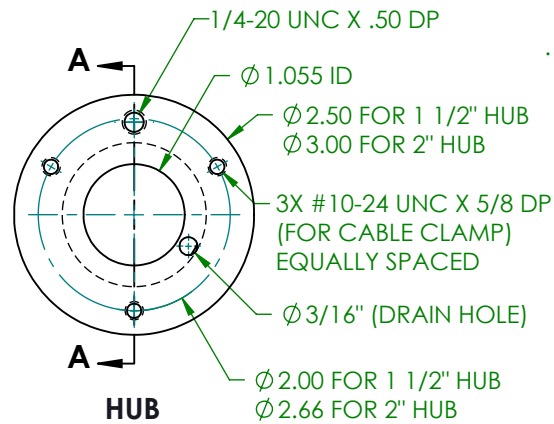


**BOTTOM VIEW**



**SECTION A-A  
SCALE 1:2**

**NOTE:**

1. FINISH IS POLYESTER TGIC POWDER COAT FULL GLOSS SMOOTH. COLOR IS FS 13538 YELLOW.
2. HEAVY BASE PLATE IS INDIVIDUALLY PACKED WITH NEOPRENE GASKET, STEEL CABLE CLAMPS AND SCREWS FOR SECURING L-823 CONNECTORS AND ASSEMBLY INSTRUCTIONS.
3. FOR GROUNDING OPTION, BASE PLATE PACKAGE INCLUDES (1) 1/4-20 UNC X 1/2" LG SOCKET HEAD CAP SCREW AND (1) #6 COPPER GROUND LUG. ADD "G" TO END OF PART NUMBER FOR GROUNDING OPTION. EX.: 127B3822G.
4. DESIGNED TO COMPLY WITH FAA CIRCULAR AC510/5345-42 (CURRENT VERSION).

FAA TYPE	'OD'	'BC'	'SP'	'MT'	PART NUMBER
L-867B	12.375	10.250	4.00	1 1/2-12 UNF	127B38152
				2"-11 1/2 NPS	127B3822
L-867D	16.000	14.250	8.00	1 1/2-12 UNF	167B38152
				2"-11 1/2 NPS	167B3822

DWN: DOUG F.	<b>L-867 12" HEAVY BASE PLATE, 2 HUBS</b>	
DATE: 2/4/2019		
SCALE: NTS	 <b>MILLERBERND</b>	622 6TH ST. SO. WINSTED, MN 55395
SHEET 1 OF 1		