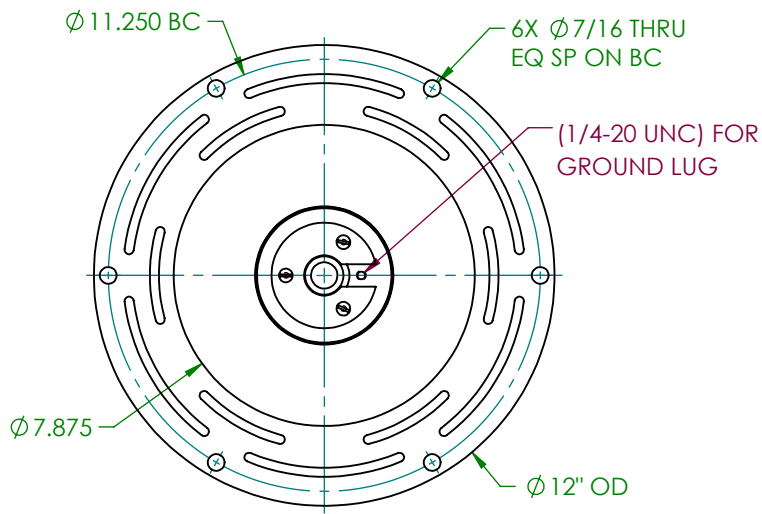
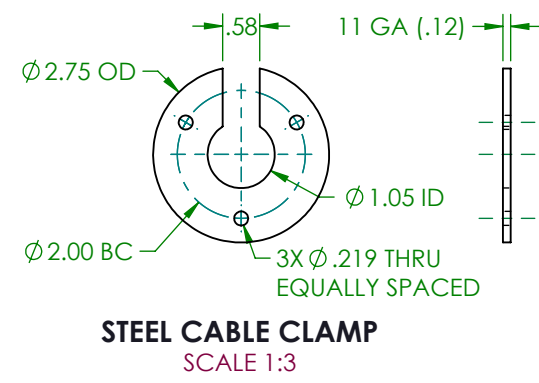


SECTION A-A
SCALE 2:5




BOTTOM VIEW



NOTE:

1. FINISH IS POLYESTER TGIC POWDER COAT FULL GLOSS SMOOTH. COLOR IS FS 13538 YELLOW.
2. BASE PLATE IS INDIVIDUALLY PACKED WITH NEOPRENE GASKET, STEEL CABLE CLAMP AND SCREWS FOR SECURING L-823 CONNECTOR AND ASSEMBLY INSTRUCTIONS.
3. FOR GROUNDING OPTION, BASE PLATE PACKAGE INCLUDES (1) 1/4-20 UNC X 1/2" LG SOCKET HEAD CAP SCREW AND (1) #6 COPPER GROUND LUG. ADD "G" TO END OF PART NUMBER FOR GROUNDING OPTION. EX.: 128B015G
4. DESIGNED TO COMPLY WITH FAA CIRCULAR AC510/5345-42 (CURRENT VERSION).

| | | |
|-----------------|---|----------|
| DWN: DOUG F. | L-868 1 1/2" BASE PLATE | |
| DATE: 9/29/2017 | | |
| SCALE: 1:5 |  MILLERBERND 622 6TH ST. SO. WINSTED, MN 55395 | 8B-1 1/2 |
| SHEET 1 OF 1 | | |