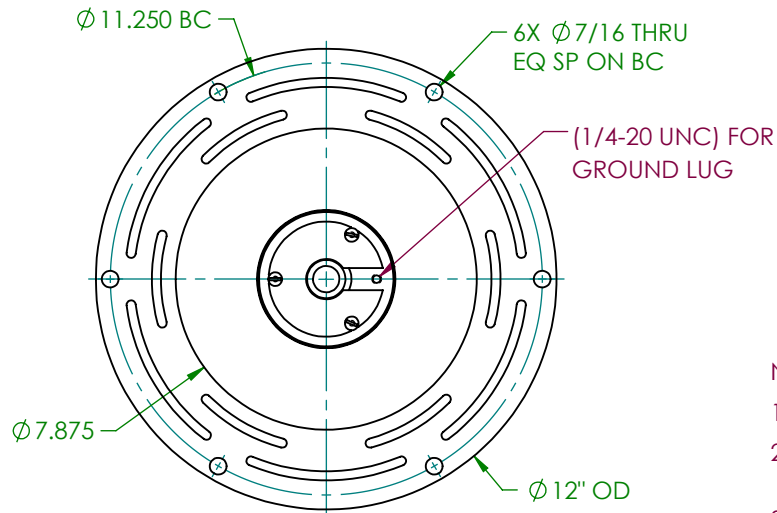
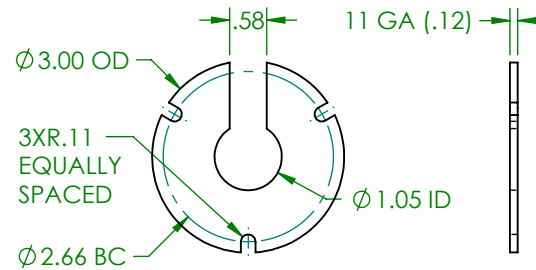


SECTION A-A
SCALE 2:5




BOTTOM VIEW



STEEL CABLE CLAMP
SCALE 1:3

NOTE:

1. FINISH IS POLYESTER TGIC POWDER COAT FULL GLOSS SMOOTH. COLOR IS FS 13538 YELLOW.
2. BASE PLATE IS INDIVIDUALLY PACKED WITH NEOPRENE GASKET, STEEL CABLE CLAMP AND SCREWS FOR SECURING L-823 CONNECTOR AND ASSEMBLY INSTRUCTIONS.
3. FOR GROUNDING OPTION, BASE PLATE PACKAGE INCLUDES (1) 1/4-20 UNC X 1/2" LG SOCKET HEAD CAP SCREW AND (1) #6 COPPER GROUND LUG. ADD "G" TO END OF PART NUMBER FOR GROUNDING OPTION. EX.: 128B02G
4. DESIGNED TO COMPLY WITH FAA CIRCULAR AC510/5345-42 (CURRENT VERSION).

DWN: DOUG F.	L-868B 2" BASE PLATE		8B-2
DATE: 9/29/2017			
SCALE: 1:5	 MILLERBERND	622 6TH ST. SO. WINSTED, MN 55395	
SHEET 1 OF 1			