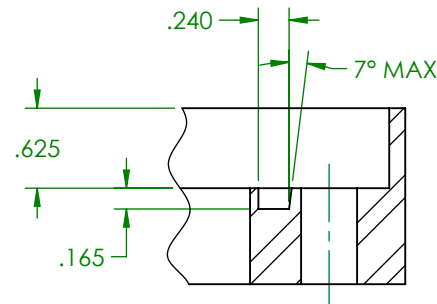
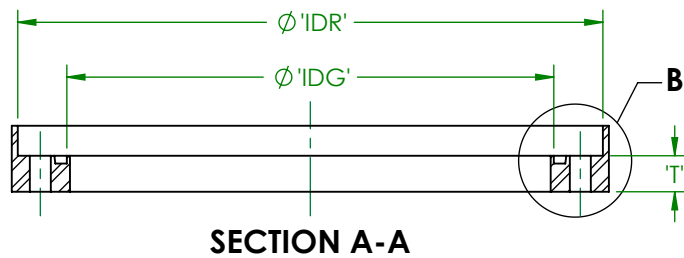


NOTE:

1. 'T'= THICKNESS IN SIXTEENTHS FROM 1/4" TO 1 15/16". SPECIFY WHEN ORDERING.
2. (6) 3/8-16 UNC STAINLESS STEEL HEX HEAD BOLTS, CEC LOCK WASHERS AND AN O-RING ARE SHIPPED WITH L-868 FLANGE RING. BOLT LENGTH IS BASED ON AND IS SUITABLE FOR THE THICKNESS OF THE FLANGE RING ORDERED. IF FLANGE RING IS TO BE STACKED OVER A SPACER RING, THE SPACER RING THICKNESS MUST BE ACCOUNTED FOR IN BOLT LENGTH DETERMINATION TO PROVIDE A MINIMUM OF 1/2" THREAD ENGAGEMENT.
3. MATERIAL-ASTM A36 STEEL. STAINLESS STEEL IS AVAILABLE AS AN OPTION; SPECIFY WHEN ORDERING.
4. CARBON STEEL RINGS ARE ZINC PLATED PER ASTM B633 TYPE II CLASS I OR HIGHER.
5. THIS PRODUCT IS CERTIFIED PER FAA ADVISORY CIRCULAR AC150/5345-42 (CURRENT REV).



FAA TYPE	NOM DIA	MMC TYPE	'IDR'	'BC'	'ID'	'IDG'
L-868A	8"	88FY	8.160	7.250	6.500	6.645
L-868B	12"	128FY	12.160	11.250	10.000	10.145
L-868C	15"	158FY	15.160	14.250	13.000	13.145

DWN: DOUG F.	L-868 FLANGE RING WITH PAVEMENT RING			622 6TH ST. SO. WINSTED, MN 55395	8FY
DATE: 8/10/2017					
SCALE: NTS					
SHEET 1 OF 1					