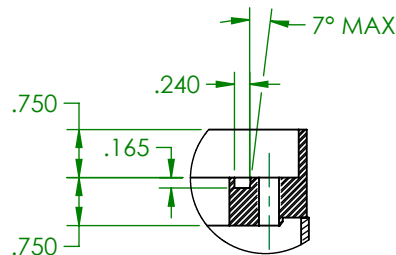
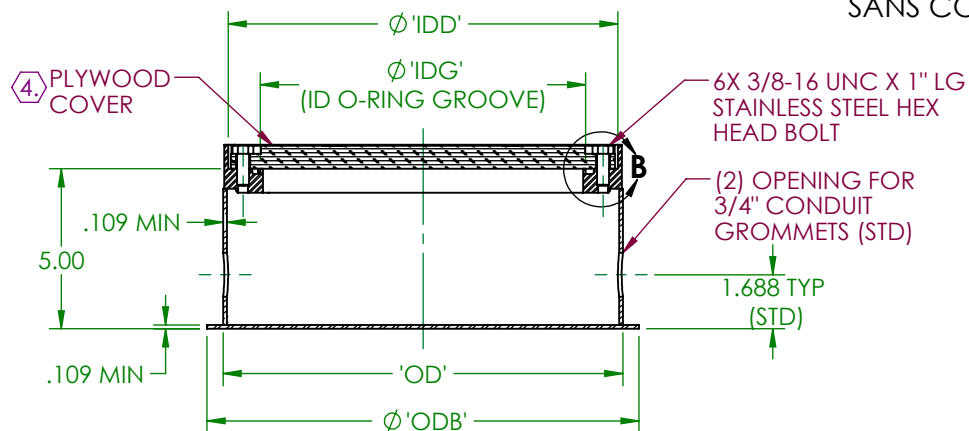
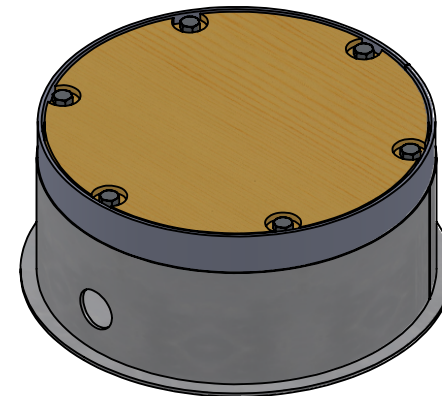


FOR 8 IN. SIZE HOLES ARE LOCATED AT 60°, 120°, 240°, AND 300°. WHEN USING ONLY TWO BOLTS THE 120° AND 300° LOCATIONS SHALL BE USED.



**DETAIL B**  
**SCALE 1:3**  
SANS COVER & BOLTS



**SECTION A-A**

FAA TYPE	NOM DIA	MMC TYPE	'OD'	'ODB'	'BC'	'ID'	'IDD'	'IDG'
L-868A	8"	88ICGY	8.500	9.500	7.250	6.500	8.160	N/A
L-868B	12"	128ICGY	12.500	13.500	11.250	10.000	12.160	10.145
L-868C	15"	158ICGY	15.500	16.500	14.250	13.000	15.160	13.145

\*\*Ø8" BASE HAS NO O-RING GROOVE\*\*

**NOTE:**

1. SPECIFY HEIGHT WHEN ORDERING.
2. TAPPED HOLE PATTERN IN TOP FLANGE IS ALIGNED WITH CENTERLINE OF GROMMET OPENINGS.
3. Ø3/4" GROMMET OPENINGS ARE ORIENTED 180° APART. OTHER HOLE SIZES AND/OR LOCATIONS MUST BE SPECIFIED WHEN ORDERING.
4. PLYWOOD COVER IS 3/4" THICK, EXTERIOR GRADE CC.
5. (2) Ø3/4" GROMMETS (STD) SHIPPED UNASSEMBLED WITH BASE.
6. FINISH-ZINC PLATED PER ASTM B633 TYPE II CLASS I OR HIGHER.
7. AVAILABLE OPTIONS, SPECIFIED WHEN ORDERING, INCLUDE:
  - DRAIN OPENING
  - DRAIN COUPLING
  - ANTI-ROTATION FINS
  - ANTI-UPLIFT BARS
  - GROUND LUG
8. THIS PRODUCT IS CERTIFIED PER FAA ADVISORY CIRCULAR AC150/5345-42 (CURRENT REV).

DWN: DOUG F.

DATE: 8/30/2017

SCALE: NTS

SHEET 1 OF 1

L-868 INSET LIGHT BASE W/PAVEMENT DAM



**MILLERBERND**

622 6TH ST. SO.  
WINSTED, MN  
55395

8ICGY