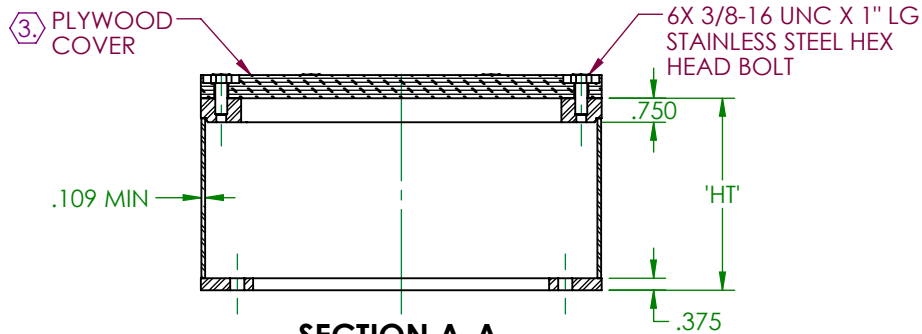
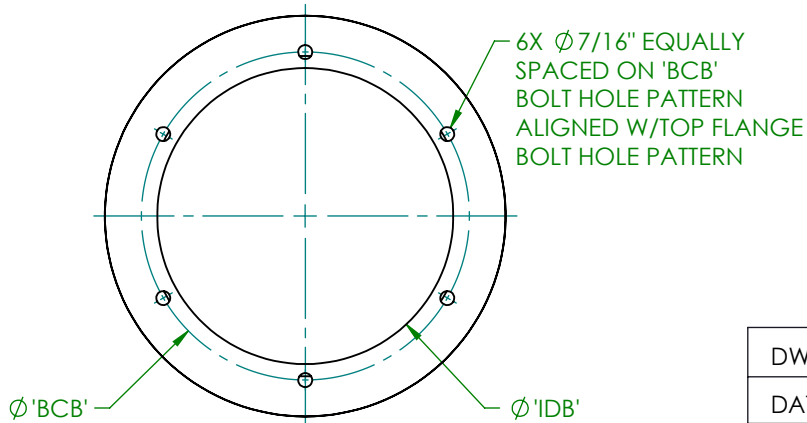


FOR 8 IN. SIZE HOLES ARE LOCATED AT 60°, 120°, 240°, AND 300°. WHEN USING ONLY TWO BOLTS THE 120° AND 300° LOCATIONS SHALL BE USED.



**SECTION A-A**  
WITH PLYWOOD COVER  
AND MACHINE SCREWS




**BOTTOM VIEW**

**NOTE:**

- 'HT'= HEIGHT TO ORDER. MINIMUM HEIGHT IS 2.0".
- (6) CEC LOCK WASHERS ARE SHIPPED UNASSEMBLED WITH THE L-868 TOP SECTION.
- PLYWOOD OR POLYOYMER COVER FOR L-868 TOP SECTION IS 3/4" NOMINAL THICKNESS, GRADE CC. PLYWOOD COVER DIAMETERS:
  - L-868 8" NOM. OD: 3/4" THICK
  - L-868 12" NOM OD: 3/4" THICK
  - L-868 15" NOM OD: 1 1/4" THICK
- CARBON STEEL SECTIONS ARE HOT DIP GALVANIZED PER ASTM A123.
- AVAILABLE OPTIONS, SPECIFIED WHEN ORDERING, INCLUDE:
  - LOAD RING
  - STAINLESS STEEL CONSTRUCTION
  - REPLACEABLE STAINLESS STEEL THREADED INSERTS
- THIS PRODUCT IS CERTIFIED PER FAA ADVISORY CIRCULAR AC150/5345-42 (CURRENT REV).

FAA TYPE	NOM DIA	MMC TYPE	'OD'	'BCT'	'BCB'	'IDT'	'IDB'
L-868A	8"	88TS	8.500	7.250	6.250	6.500	5.250
L-868B	12"	128TS	12.500	11.250	10.250	10.000	9.250
L-868C	15"	158TS	15.500	14.250	13.250	13.000	12.375

DWN: DOUG F.	<b>L-868 TOP SECTION</b>			622 6TH ST. SO. WINSTED, MN 55395	<b>8TS</b>
DATE: 8/1/2017					
SCALE: NTS					
SHEET 1 OF 1					